

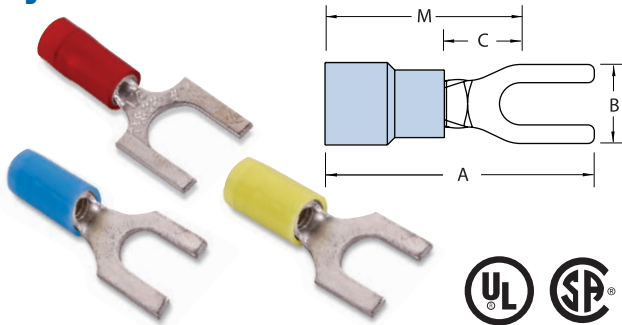
Nylon-Insulated Fork Terminals

- Fork terminals enable easy installation because the mounting screw does not have to be completely removed
- Brazed seam barrel is serrated for high pull-out value. Terminal is high conductivity electrolytic copper, electro-tin plated. Insulation is color-coded
- Vinyl insulated fork terminals have extra-long PVC insulation sleeve for protection and stress relief at wire's flex point
- Suffix "X" indicates an expanded insulation support, meaning a wider wire entry to accommodate heavy wall insulation



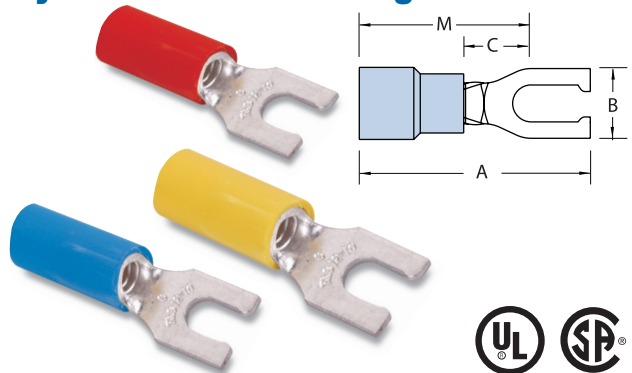
Sta-Kon Terminal Products and Tools

Nylon-Insulated Fork



CAT. NO.	PKG. QTY.	WIRE RANGE	MAX. INS.	BOLT HOLE	REC. TOOL	DIMENSIONS				STOCK THICK.
						A	B	C	M	
RA18-6F	100	22-16	.136	#6	ERG 2001	.83	.25	.25	.71	.02
RA1103	1,000	22-16	.136	#6		.83	.25	.25	.71	
RA18-8F	100	22-16	.136	#8		.86	.31	.25	.71	
RA1123	1,000	22-16	.136	#8		.86	.31	.25	.71	
RA18-10F	100	22-16	.136	#10		.86	.31	.25	.71	
RA1153	1,000	22-16	.136	#10		.86	.31	.25	.71	
RA18-14F	100	22-16	.136	1/4"		.95	.44	.31	.70	
RA1163	1,000	22-16	.136	1/4"		.95	.44	.31	.70	
RB14-6F	100	18-14	.162	#6		.87	.31	.25	.71	.03
RB1113	1,000	18-14	.162	#6		.87	.31	.25	.71	
RB14-8F	100	18-14	.162	#8		.87	.31	.25	.71	
RB1123	1,000	18-14	.162	#8		.87	.31	.25	.71	
RB14-10F	100	18-14	.162	#10		.87	.38	.25	.71	
RB1153	1,000	18-14	.162	#10		.87	.38	.25	.71	
RB14-14F	100	18-14	.162	1/4"		.95	.44	.28	.74	
RB1163	1,000	18-14	.162	1/4"	.95	.44	.28	.74		
RB1103	1,000	18-14	.162	#6	.74	.28	.16	.60	.04	
RB1124	1,000	18-14	.190	#8	.95	.31	.25	.79		
RB1154	1,000	18-14	.190	#10	.95	.31	.25	.79		
RC10-6F	50	12-10	.210	#6	.97	.31	.27	.81		
RC1113	500	12-10	.210	#6	.97	.31	.27	.81		
RC10-8F	50	12-10	.210	#8	1.00	.37	.27	.81		
RC1123	500	12-10	.210	#8	1.00	.37	.27	.81		
RC10-10F	50	12-10	.210	#10	1.00	.37	.27	.81		
RC1153	500	12-10	.210	#10	1.00	.37	.27	.81		
RC10-14F	50	12-10	.210	1/4"	1.12	.50	.27	.86		
RC1163	500	12-10	.210	1/4"	1.12	.50	.27	.86		
RC1124	1,000	12-10	.250	#8	1.10	.37	.27	.91		
RC1154	1,000	12-10	.250	#10	1.10	.37	.27	.91		

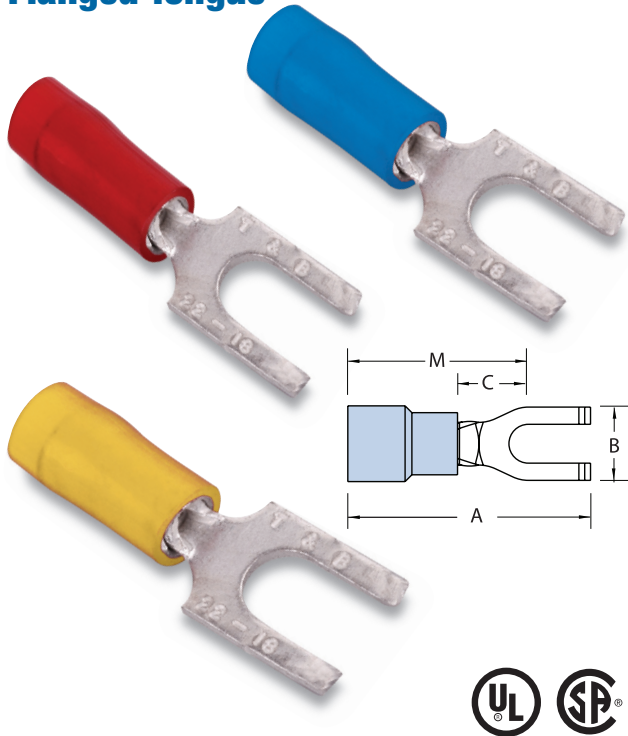
Nylon-Insulated Locking Fork



CAT. NO.	PKG. QTY.	WIRE RANGE	MAX. INS.	BOLT HOLE	REC. TOOL	DIMENSIONS				STOCK THICK.
						A	B	C	M	
RA18-6FL	100	22-16	.136	#6	ERG 2001	.86	.25	.25	.71	.02
RA2213	1,000	22-16	.136	#6		.86	.25	.25	.71	
RA18-8FL	100	22-16	.136	#8		.86	.29	.25	.71	
RA2243	1,000	22-16	.136	#8		.86	.29	.25	.71	
RA18-10FL	100	22-16	.136	#10		.86	.29	.25	.71	
RA2253	1,000	22-16	.136	#10		.86	.29	.25	.71	
RB14-6FL	100	18-14	.162	#6		.87	.25	.25	.71	.03
RB2213	1,000	18-14	.162	#6		.87	.25	.25	.71	
RB2214	1,000	18-14	.190	#6		.95	.25	.25	.79	
RB14-8FL	100	18-14	.162	#8		.87	.29	.25	.71	
RB2233	1,000	18-14	.162	#8		.87	.29	.25	.71	
RB14-10FL	100	18-14	.162	#10		.87	.29	.25	.71	
RB2253	1,000	18-14	.162	#10		.87	.29	.25	.71	
RB2254	1,000	18-14	.190	#10		.95	.29	.25	.71	
RC10-6FL	50	12-10	.210	#6		.97	.31	.27	.81	
RC2203	500	12-10	.210	#6	.97	.31	.27	.81		
RC2204	1,000	12-10	.250	#6	1.07	.31	.27	.91		
RC10-8FL	50	12-10	.210	#8	1.00	.37	.27	.81		
RC2213	500	12-10	.210	#8	1.00	.37	.27	.81		
RC10-10FL	50	12-10	.210	#10	1.00	.37	.27	.81		
RC2223	500	12-10	.210	#10	1.00	.37	.27	.81		
RC2224	1,000	12-10	.250	#10	1.10	.37	.27	.91		
RC10-14FL	50	12-10	.210	1/4"	1.12	.50	.32	.86		
RC2233	500	12-10	.210	1/4"	1.12	.50	.32	.86		

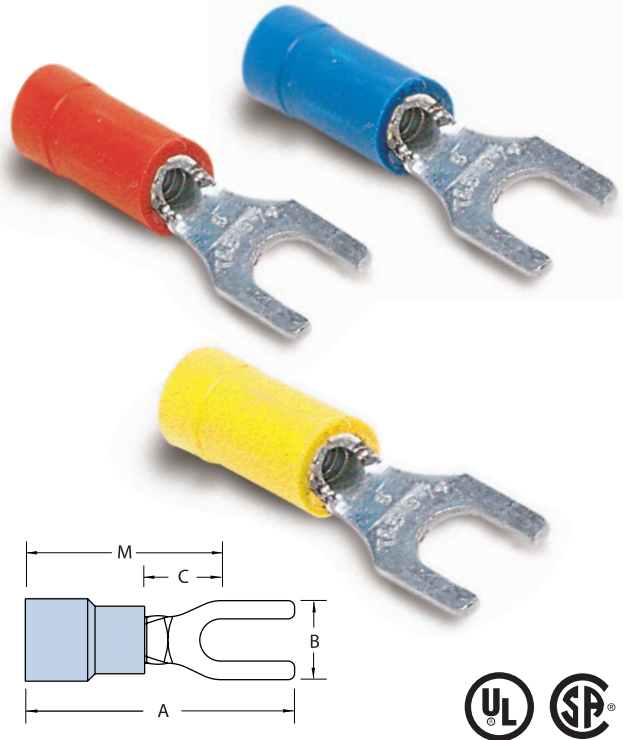
Vinyl-Insulated Fork Terminals

Nylon-Insulated Fork — Flanged Tongue



CAT. NO.	PKG. QTY.	WIRE RANGE	MAX. INS.	BOLT HOLE	REC. TOOL	DIMENSIONS				STOCK THICK.	
						A	B	C	M		
RA18-6FS	100	22-16	.136	#6	ERG 2001	.75	.28	.16	.62	.02	
RA1203	1,000	22-16	.136	#6		.75	.28	.16	.62		
RA18-8FS	100	22-16	.136	#8		.89	.31	.23	.65		
RA1223	1,000	22-16	.136	#8		.89	.31	.23	.65		
RA18-10FS	100	22-16	.136	#10		.93	.38	.26	.68		
RA1253	1,000	22-16	.136	#10		.93	.38	.26	.68		
RB14-6FS	100	18-14	.162	#6		.74	.28	.16	.60		.03
RB1203	1,000	18-14	.162	#6		.74	.28	.16	.60		
RB14-8FS	100	18-14	.162	#8		.89	.31	.23	.66		
RB1223	1,000	18-14	.162	#8		.89	.31	.23	.66		
RB14-10FS	100	18-14	.162	#10	.94	.38	.27	.69			
RB1253	1,000	18-14	.162	#10	.94	.38	.27	.69			
RB1204	1,000	18-14	.190	#6	.79	.28	.16	.67			
RB1224	1,000	18-14	.190	#8	.94	.31	.23	.71			
RC10-8FS	50	12-10	.210	#8	.97	.34	.23	.73	.04		
RC1223	500	12-10	.210	#8	.97	.34	.23	.73			
RC10-10FS	50	12-10	.210	#10	1.00	.38	.26	.74			
RC1253	500	12-10	.210	#10	1.00	.38	.26	.74			
RC1224	1,000	12-10	.250	#8	1.08	.34	.23	.80			
RC1254	1,000	12-10	.250	#10	1.12	.38	.26	.86			

Vinyl-Insulated Fork



CAT. NO.	PKG. QTY.	WIRE RANGE	MAX. INS.	BOLT HOLE	REC. TOOL	DIMENSIONS				STOCK THICK.	
						A	B	C	M		
18RA-6F	100	22-16	.150	#6	ERG 2001	.94	.25	.27	.81	.02	
RA1167	1,000	22-16	.150	#6		.94	.25	.27	.81		
18RA-8F	100	22-16	.150	#8		.97	.31	.27	.81		
RA1147	1,000	22-16	.150	#8		.97	.31	.27	.81		
18RA-10F	100	22-16	.150	#10		.97	.31	.27	.81		
RA1157	1,000	22-16	.150	#10		.97	.31	.27	.81		
14RB-6F	100	18-14	.170	#6		.97	.31	.27	.81		.03
RB647	1,000	18-14	.170	#6		.97	.31	.27	.81		
14RB-6FS	100	18-14	.170	#6		.89	.30	.25	.75		
14RB-8F	100	18-14	.170	#8		.97	.31	.27	.81		
RB657	1,000	18-14	.170	#8	.97	.31	.27	.81			
14RB-10F	100	18-14	.170	#10	.97	.31	.27	.81			
RB1157	1,000	18-14	.170	#10	.97	.31	.27	.81			
14RB-14F	100	18-14	.170	1/4"	1.11	.44	.38	.89			
RB1717	1,000	18-14	.170	1/4"	1.11	.44	.38	.89			
10RC-6F	50	12-10	.210	#6	.04	1.09	.38	.27	.90		
RC1337	500	12-10	.210	#6		1.09	.38	.27	.90		
10RC-8F	50	12-10	.210	#8		1.09	.38	.27	.90		
RC1147	500	12-10	.210	#8		1.09	.38	.27	.90		
10RC-10F	50	12-10	.210	#10		1.09	.38	.27	.90		
RC1157	500	12-10	.210	#10		1.09	.38	.27	.90		
10RC-14F	50	12-10	.210	1/4"		1.15	.50	.37	.90		
RC1167	500	12-10	.210	1/4"		1.15	.50	.37	.90		